



CUSTOM STEEL DAVIT ARMS

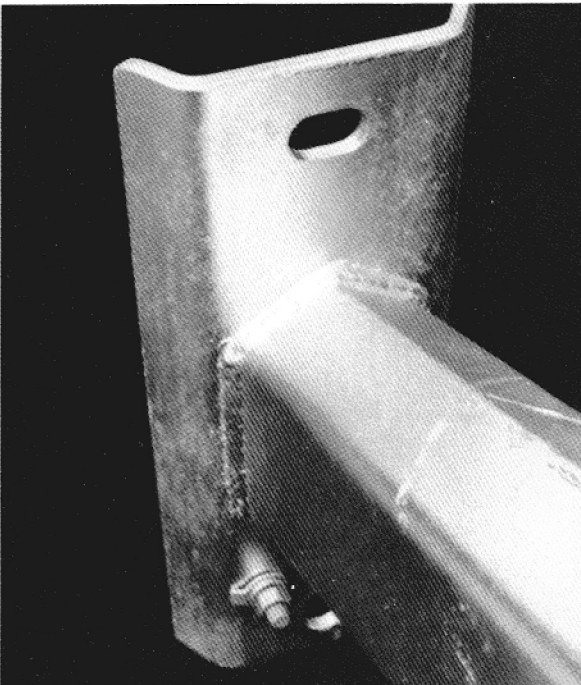


DESIGNED FOR RELIABILITY

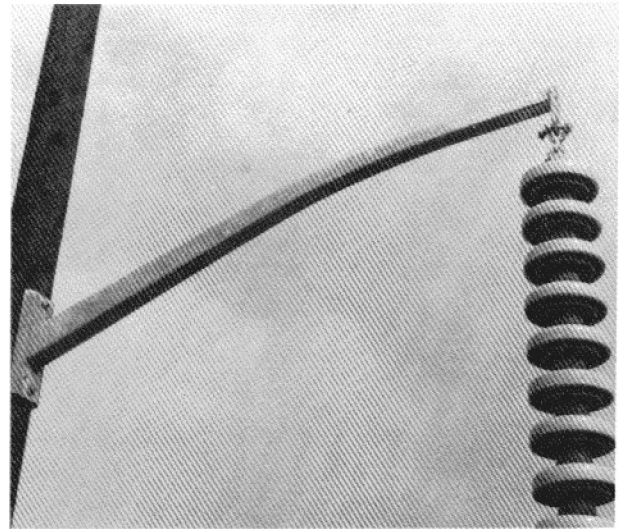
Lindsey manufactures steel davit arms for all your transmission and distribution requirements. Arms are computer designed and optimized for economical and reliable use on wood, concrete or steel poles. Davit arms can be constructed from a variety of cross sectional shapes in order to minimize the material yet maintain the loading requirements.

Standard gain or flat base plates, and deadend or suspension end plates, can be fitted to T, I, circular or tapered hexagonal cross sections. Special base or end plates can be manufactured to your specifications in order to allow for additional maintenance or mounting requirements.

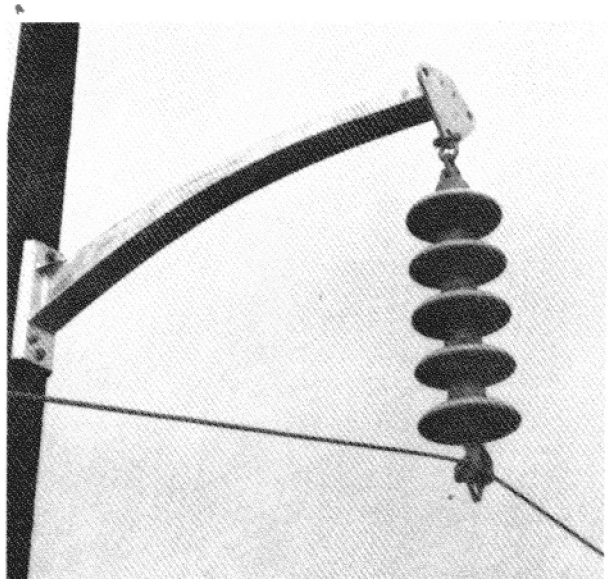
The steel used in the construction of all Lindsey Davit Arms meets or exceeds the applicable requirements or ASTM. All welding is performed by certified welders and conforms to AWS Standard D1.1. Hot dip galvanizing is in accordance with ASTM A123. Certified material and design test reports are made available upon request, prior to shipment of order.



Automatic MIG welding equipment used by Lindsey's certified welders insures high strength, reliable welded steel joints. Each joint is a complete penetration weld. Each design has been fully tested to insure its rated strength. Typical test results show that the arm will buckle, bend, or the base metal will tear before any weld failure.



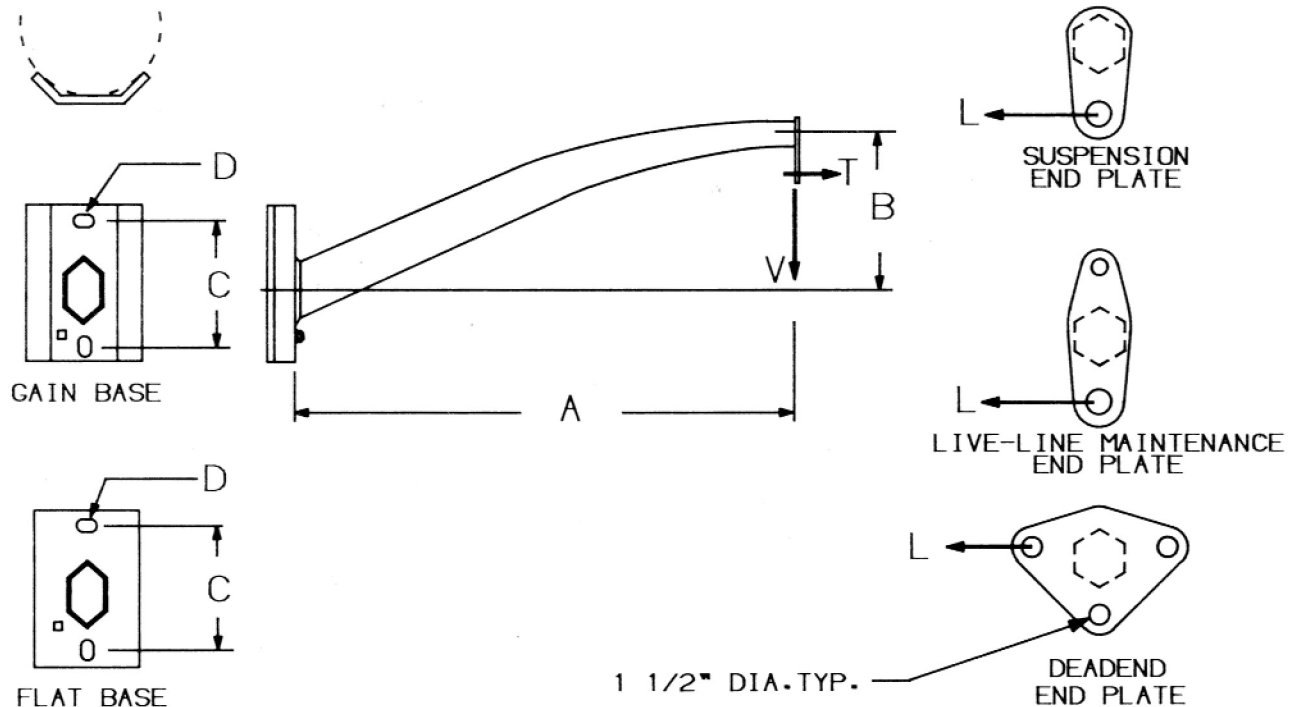
The Lindsey medium and heavy duty tangent and deadend davit arms provide the maximum longitudinal and vertical loading capabilities for a given weight. Typical cross sections employed for these davit arms are the I, circular or tapered hexagonal. Circular and tapered hexagonal sections are provided with drain holes at both ends to insure internal galvanizing and moisture escape.



Lindsey light and medium duty tangent and deadend davit arms are designed to provide the most economical and reliable cross section. When T or I section is used, there are no hollow cross sections to trap moisture.

HOW TO ORDER

Lindsey has developed computer aided design programs to calculate the most efficient and reliable davit arm cross section and base plate thicknesses to meet or surpass your requirements. In order to optimize these parameters and generate a final design, the design criteria listed below is required. Simultaneous and non-simultaneous loads can be specified and will be analyzed. Certified design test reports are available upon request, prior to shipment.



DESIGN CRITERIA

- Base Plate: Gain Flat
- End Plate: Suspension Live-Line Deadend
- Dimensions:
 - A _____ in. arm length
 - B _____ in. arm rise
 - C _____ in. base plate mounting
 - D _____ in. hole diameter
- Loads:
 - V _____ lbs. vertical
 - L _____ lbs. longitudinal
 - T _____ lbs. transverse

Notes:

- All loads should include overload capacity factors.
- The above loads are analyzed as non-simultaneous. If simultaneous analysis is required, supply additional loading schedules.
- Transverse loads are considered as both tension and compression unless otherwise specified.

- Finish: Hot Dip Galvanized Painted Specify: _____
- Other special requirements: _____



- For wood, concrete or steel poles
- Computer designed to your specifications
- Manufactured for reliability
- Mechanically tested and certified
- Quality you can depend on from Lindsey



Lindsey Systems
760 N Georgia Avenue
Azusa, CA 91702 USA
Tel: +1.626.969.3471

www.lindsey-usa.com

Copyright 2020

Publication 02C-003 CUSTOM DAVIT • August 2020