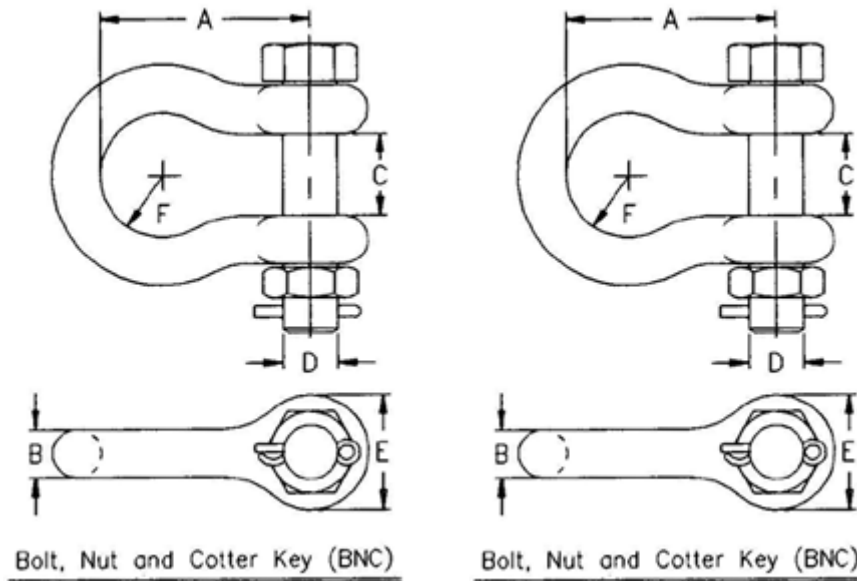




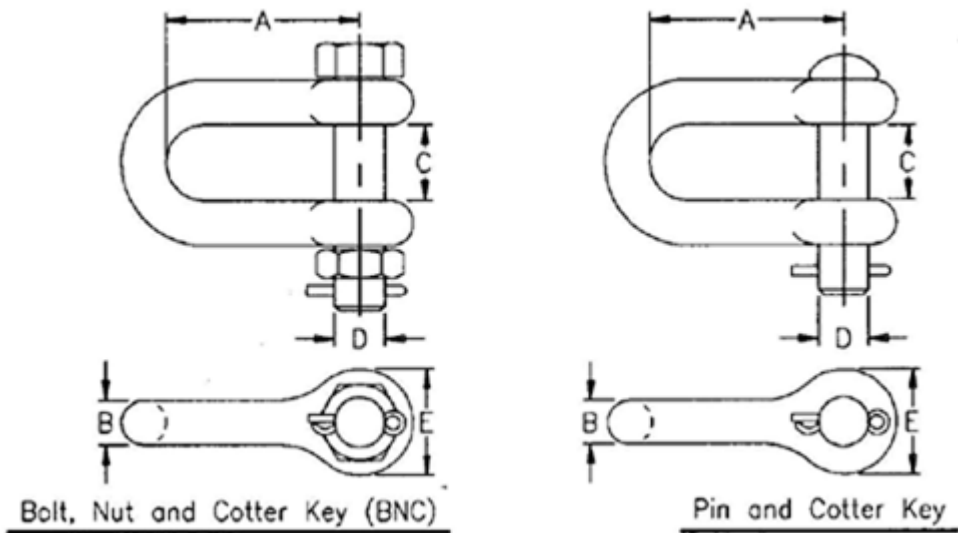
T&D Fittings/ Shackles

Anchor Shackles



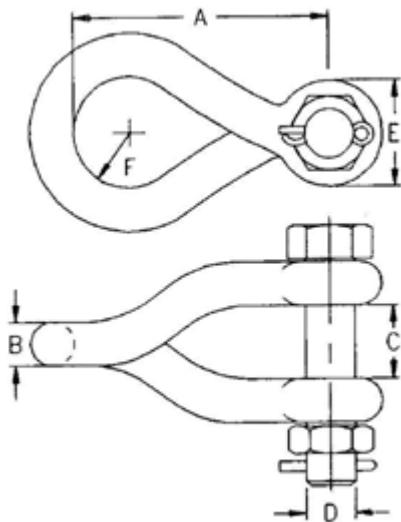
CATALOG NUMBER	ULTIMATE STRENGTH (LBS)	DIMENSIONS (INCHES)						WEIGHT PER 100 PCS. (LBS)
		A	B	C	D	E	F	
3260 3260 BNC	25,000 30,000	2 ¼	½	13/16	5/8	1 ¼	23/32	75 84
3260A BNC	30,000	2 ¼	½	13/16	5/8	1 ¼	23/32	84
3231 3231 BNC	30,000	2 ¾	5/8	7/8	5/8	1 3/8	11/16	122 131
3250 3250 BNC	30,000	4 5/8	5/8	7/8	¾	1 ¾	½	160 190
3261 3261 BNC	40,000	2 7/8	5/8	1 1/16	¾	1 5/8	7/8	130 175
3261A BNC	48,000	2 7/8	5/8	1 1/16	¾	1 5/8	7/8	175
3269 3269 BNC	50,000	5	¾	7/8	¾	1 7/8	11/16	270 300
3262 3262 BNC	60,000	3 7/16	¾	1 ¼	7/8	1 7/8	1	225 250
3252 3252 BNC	60,000	3 ½	¾	7/8	¾	1 7/8	¾	225 245
3262A BNC	72,000	3 7/16	¾	1 ¼	7/8	1 7/8	1	250
3263 3263 BNC	78,000	3 ¾	7/8	1 7/16	1	2 1/8	1 5/32	350 400
3256 BNC	80,000	3 ¾	7/8	1 7/16	1	2 1/8	1 5/32	400
3257 BNC	80,000	4 5/16	1	1 3/16	1 1/8	2 3/8	1 1/16	550
3263A BNC	90,000	3 ¾	7/8	1 7/16	1	2 1/8	1 5/32	400
3264 3264 BNC	102,000	4 5/16	1	1 11/16	1 1/8	2 3/8	1 9/32	500 550
3265 BNC	114,000	4 7/8	1 1/8	1 13/16	1 ¼	2 5/8	1 15/32	750
3264A BNC	120,000	4 5/16	1	1 11/16	1 1/8	2 3/8	1 9/32	550
3266 3266 BNC	144,000	5 3/16	1 ¼	2	1 3/8	3 1/16	1 5/8	950 1100
3266A BNC	168,000	5 3/16	1 ¼	2	1 3/8	3 1/16	1 5/8	1100
3267 3267 BNC	168,000	6	1 3/8	2 ¼	1 ½	3 ¼	1 ¾	1250 1350
3268 3268 BNC	204,000	5 9/16	1 ½	2 3/8	1 5/8	3 1/2	1 7/8	1720 1850

Chain Shackles



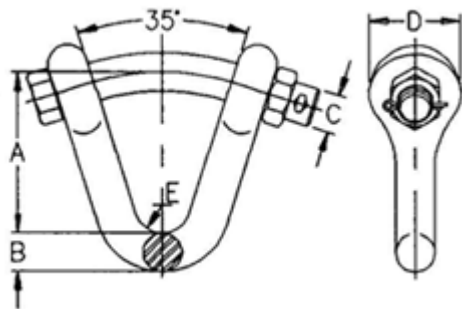
CATALOG NUMBER	ULTIMATE STRENGTH (LBS)	DIMENSIONS (INCHES)					WEIGHT PR 100 PCS. (LBS)
		A	B	C	D	E	
3270 3270 BNC	25,000	2	1/2	13/16	1/8	1 1/4	60 78
3271 3271 BNC	40,000	2 3/8	5/8	1 1/16	3/4	1 5/8	125 150
3284 3284 BNC	40,000	3 1/4	5/8	1	3/4	1 3/4	150 175
3285 BNC	40,000	3 1/4	7/8	2 1/4	3/4	2 1/8	380
3272 3272 BNC	60,000	2 3/4	3/4	1 1/4	7/8	1 1/8	195 220
3286 BNC	60,000	3 1/4	7/8	2 3/4	7/8	2 1/8	415
3273 3273 BNC	78,000	3 3/8	7/8	1 7/15	1	2 1/8	300 320
3287 BNC	80,000	3 1/4	7/8	2 1/4	1	2 1/8	455
3274 3274 BNC	102,000	3 13/16	1	1 11/15	1 1/8	1 3/8	450 500
3275 3275 BNC	114,000	4 1/8	1 1/8	1 13/16	1 1/4	2 5/8	650 710
3276 3276 BNC	144,000	5 3/16	1 1/4	2	1 3/8	5 1/16	860 920
3277 3277 BNC	168,000	5 1/4	1 3/3	2 1/4	1 1/2	3 1/4	1200 1300
3278 BNC	204,000	5 13/16	1 1/2	2 3/8	1 5/8	3 1/2	1700

Twisted shackles (Shackles will not untwist prior to reaching ultimate strength)



CATALOG NUMBER	ULTIMATE STRENGTH (LBS.)	DIMENSIONS (INCHES)						WEIGHT PER 100 PCS. (LBS.)
		A	B	C	D	E	F	
3240 BNC	30,000	3 13/16	3/4	1 5/16	5/8	1 1/16	1 1/16	310
3242 BNC	50,000	4 5/16	7/8	1 5/16	3/4	1 7/8	1 5/16	360
3243 BNC	60,000	4 5/8	15/16	1 7/16	7/8	2 1/8	1 1/2	420
3244 BNC	80,000	5 1/2	1	2 1/8	1	2 3/8	1 5/8	810

Vee shackles



CATALOG NUMBER	ULTIMATE STRENGTH (LBS)	DIMENSIONS (INCHES)					WEIGHT PR 100 PCS. (LBS)
		A	B	C	D	E	
3203	50,000	2 7/8	7/8	3/4	1 7/8	1/2	270
3200	60,000	3 1/2	7/8	1	2 1/8	3/4	425
3201	85,000	4	1	1 1/8	2 3/8	7/8	588
3202	100,000	4 1/2	1 1/8	1 1/4	2 3/4	1	826
3204	120,000	5 3/4	1 3/8	1 3/8	3 1/4	1	1400