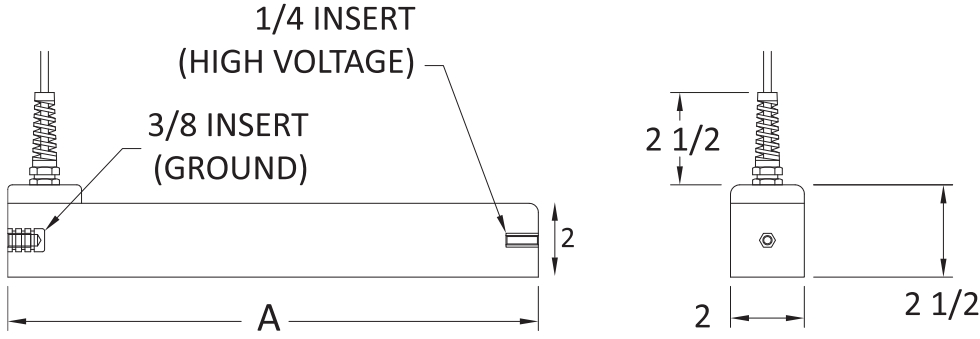


SF6 Voltage Sensors

Lindsey Systems' SF6 Voltage sensor provides high accuracy (0.5%) voltage sensing in a package designed for use in SF6-insulated environments. The embedded stud connectors allow for direct buswork connections and allow the sensor to be used as a standoff. All SF6 Voltage sensors come standard with a 15' (4.6m) cast-in pigtail end cable.



Specification and Ordering

Part No.	R-22466	R-18889
Voltage Class	15kV	25kV
BIL	95kV	125kV
60 Hz Withstand (1 min.)	30kV	60kV
Output Ratio	1400:1	1400:1
Minimum Load	1 MOhm	1 MOhm
Length (A)	10 3/8" (265mm)	14 3/8" (365 mm)
Weight	4 lbs. (1.8 kg)	6 lbs. (2.7 kg)

