

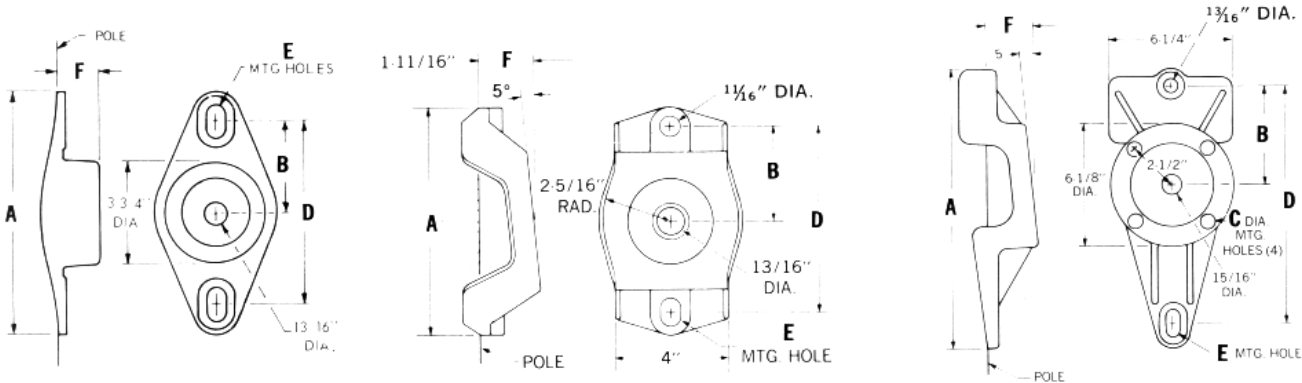
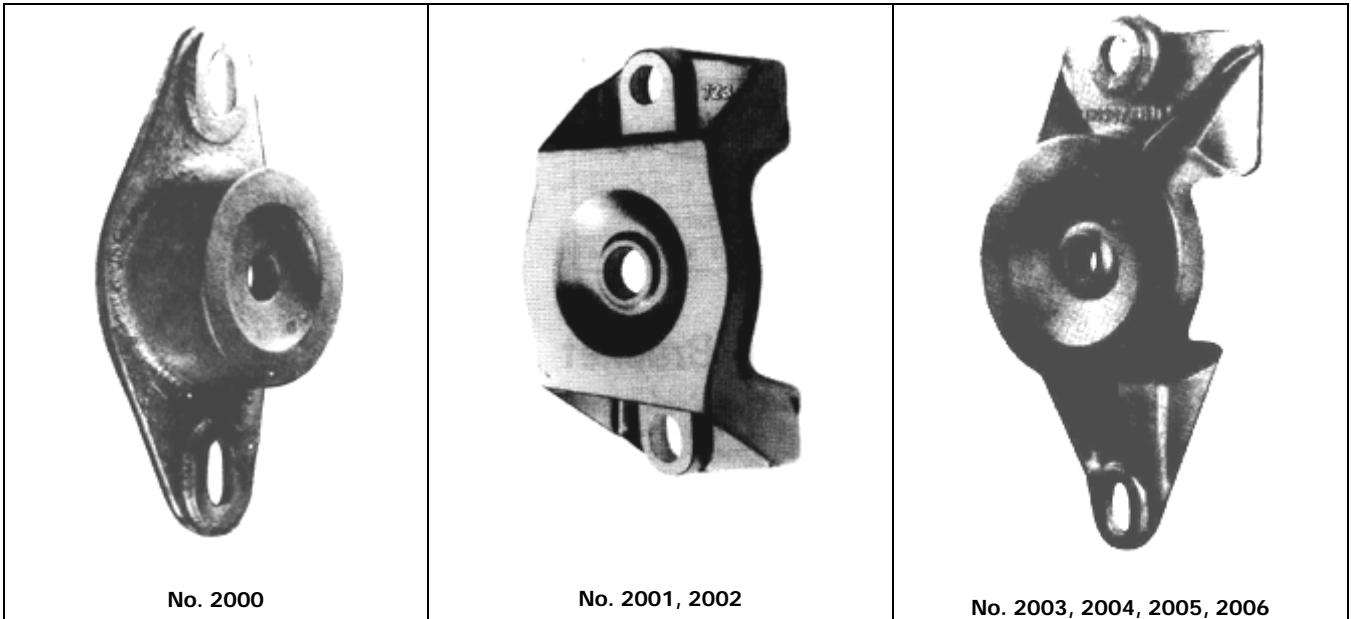


Pole Line Hardware

Horizontal Insulator Mounting Base

These bases make it possible to horizontally mount a wide variety of insulators to poles. The No. 2000, 2001, 2002, 2003 and 2004 accommodate single stud insulators, and the No. 2005 and 2006 accommodate single stud and 4-stud insulators. All parts are hot dip galvanized 60-45-15 ductile iron. Bonding holes can be furnished on request. All bases except No. 2000 have uplift angle of 5°.

U.S. Patent 203,519



CAT NUMBER	DIMENSIONS						VERTICAL ULTIMATE STRENGTH					INSULATOR MTG. HOLES
	A	B	C	D	E	F	10" INSULATOR	14" INSULATOR	25" INSULATOR	45" INSULATOR	54" INSULATOR	
2000	9	3 3/8	---	6 2/4	11/16 x 3/16	1 1/2	2500					1
2001	8	3 3/8	---	6	11/16 x 7/8	1 11/16		2800				1
2002	8	3 3/8	---	5 5/8	11/16 x 7/8	1 11/16		3000				1
2003	12 1/2	4	---	10	11/16 x 1 3/8	2 1/4			3500			1

Copyright © 2005 Lindsey Manufacturing Co.
 P.O.Box 877, 760 N. Georgia Av., Azusa, CA 91702 USA
 Tel. +1(626) 969 3471
 Fax. +1(626) 969 3177
 www.lindsey-usa.com



2004	14 1/2	5	---	12	11/16 x 1 3/8	2 1/4			3000			1
2005	14 1/2	5	11/16	12	11/16 x 1 3/8	2 1/4			3000	1700		5
2006	12	4 1/2	11/16	10	13/16 x 1 3/8	2 1/4			3500	2700	2300	5