



T&D Fittings/ Hot Line Extension Links

Hot Line Extensions Links - Variable Length

Oval Eye	Oval Eye	Eye
30,000 and 40,000 Lb. Design	50,000 and 60,000 Lb. Design	30,000 Lb. Design
Weight: 0.8 Lbs.	Weight: 1.2 Lbs.	Weight: 0.9 Lbs.
Eye	Ball	Y-Clevis
40,000 Lb. Design	30,000 Lb. Design	30,000 and 40,000 Lb. Design
Weight: 1.0 Lbs.	Weight: 1.5 Lbs.	Weight: 2.1 and 2.4 Lbs. Lbs.
Y-Clevis	Clevis	Clevis
50,000 Lb. Design	30,000 and 40,000 Lb. Design	50,000 and 60,000 Lb. Design
Weight: 2.6 Lbs.	Weight: 1.8 Lbs.	Weight: 2.0 and 2.2 Lbs. Lbs.
	*A smaller opening can be specified, if desired.	*A smaller opening can be specified, if desired.



T&D Fittings/ Hot Line Extension Links

Hot Line Extensions Links - Variable Length

Ball	Eye
50,000 Lb. Design Weight: 1.6 Lbs.	50,000 Lb. Design Weight: 1.3 Lbs.

CATALOG NUMBER SELECTION GUIDE

Select the catalog number for the desired shape and orientation of ends from the table b on page 3. Specify the desired length, "L", in inches, with the last digit representing tenths. For example, L=966 is 96.6 inches. Minimum length is 12 inches. Maximum recommended length for ball fittings is 24 inches.



T&D Fittings/ Hot Line Extension Links

Hot Line Extensions Links - Variable Length

DESCRIPTION:		ULTIMATE STRENGTH RATING (LBS)			
SHAPE AND ORIENTATION OF ENDS		30,000	40,000	50,000	60,000
OVAL EYE / OVAL EYE ④		3484/L	3484/L	3487/L	3487H/L
OVAL EYE / OVAL EYE 90° ⑤		3485/L	3485/L	3486/L	3486H/L
OVAL EYE / Y-CLEVIS		3422/L	3422H/L	3424/L	3424H/L
OVAL EYE / Y-CLEVIS 90°		3421/L	3421H/L	3423/L	-
OVAL EYE / CLEVIS		3497/L	3497/L	-	3499/L
OVAL EYE / CLEVIS 90°		3496/L	3496H/L	-	3498/L
OVAL EYE / EYE		3469/L	3481T/L	3482H/L	-
OVAL EYE / EYE 90°		3468/L	3481/L	-	-
OVAL EYE / BALL		3482/L	-	3483/L	-
Y-CLEVIS / Y-CLEVIS		3433/L	3433H/L	3434/L	-
Y-CLEVIS / CLEVIS		3459/L	3425H/L	3426/L	-
Y-CLEVIS / CLEVIS 90°		3458/L	3458H/L	3428/L	-
Y-CLEVIS / EYE		3467/L	3429/L	3430/L	-
Y-CLEVIS / EYE 90°		3466/L	3431/L	3432/L	-
Y-CLEVIS / BALL		3478/L	-	3479/L	-
CLEVIS / CLEVIS		3451/L	3440/L	3441/L	3441H/L
CLEVIS / CLEVIS 90°		3450/L	3442/L	3443/L	3443H/L
CLEVIS / EYE		3491/L	3453/L	-	-
CLEVIS / EYE 90°		3490/L	3490H/L	-	-
CLEVIS / BALL		3456/L	-	3457/L	-
EYE / EYE		3493/L	3493H/L	-	-
EYE / EYE 90°		3492/L	3492H/L	-	-

Notes:

1. To determine weight, add and fitting weights to per inch rod weight. For 30,000 and 40,000 lb. links add 0.18 lb./Inch. For 50,000 and 60,000 lb. links add 0.22 lb./Inch.
2. Tolerances +/- 3/4 inch for links to 40 inches long. +/- 2% of length for links over 40 inches.
3. To replace clevis pin with a bolt, nut and cotter key, add "BNC" to the catalog number.
4. These hot line extension links are also available in 80,000 lb. (3495/L) and 100,000 lb (3495H/L) ratings.
5. These hot line extension links are also available in 80,000 lb. (3494/L) and 100,000 lb. (3494H/L) ratings.

T&D Fittings/ Hot Line Extension Links

Hot Line Extensions Links - Fixed Length

Hot Line Clevis Links and Y-Clevis Links

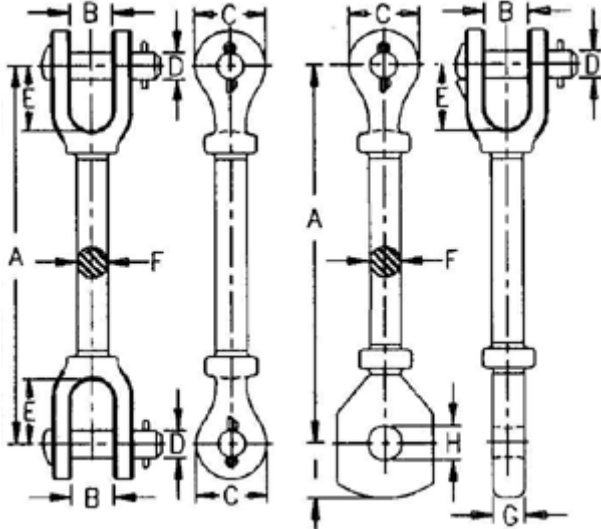


Figure 1 - Clevis-Clevis Figure 2 - Clevis-Eye

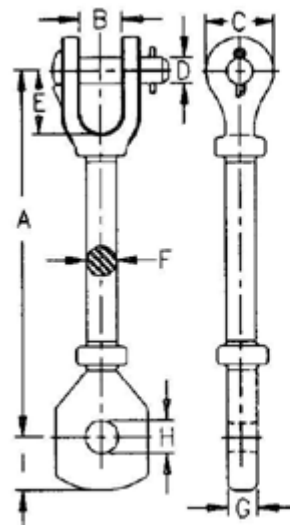


Figure 3 - Clevis - Eye 90°

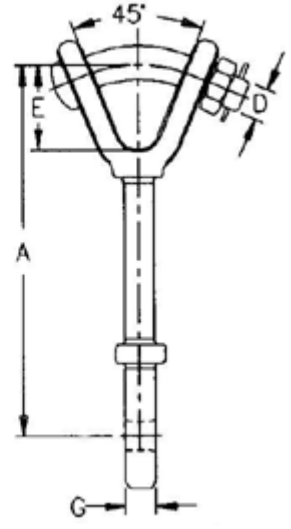


Figure 4 - Y-Clevis-Eye

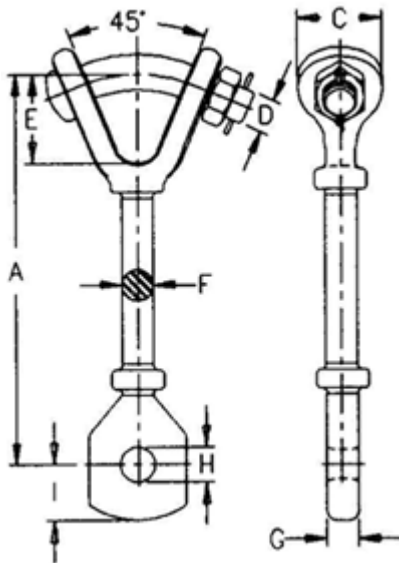


Figure 5 - Y- Clevis-Eye 90°

CATALOG NUMBER	FIGURE NUMBER	DIMENSIONS (INCHES)									ULTIMATE STRENGTH (LBS.)	WEIGHT PER 100 PCS. (LBS.)
		A	B	C	D	E	F	G	H	I		
3441	1	12	15/16	2 1/4	3/4	1 7/8	1 1/8	-	-	-	50,000	655
3491	2	10	13/16	1 3/4	5/8	2	7/8	11/16	11/16	15/16	30,000	380
3444	2	12	15/16	2 1/4	3/4	1 7/8	1 1/8	7/8	13/16	1 1/8	50,000	590
3446	2	12	1 3/8	2 1/4	3/4	1 7/8	1 1/8	1 1/4	13/16	1 1/8	50,000	620
3452	3	10	15/16	2 1/4	3/4	2	1 1/32	3/4	13/16	1 1/16	40,000	510
3430	4	12	-	2 1/4	7/8	2 1/4	1 1/8	7/8	15/16	1 1/8	50,000	675
3432	5	12	-	2 1/4	7/8	2 1/4	1 1/8	7/8	15/16	1 1/8	50,000	595



T&D Fittings/ Hot Line Extension Links

Hot Line Extensions Links - Fixed Length

Hot Line Ball Links and Socket Links

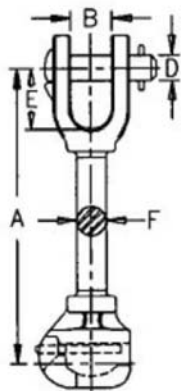


Figure 1* - Socket Clevis

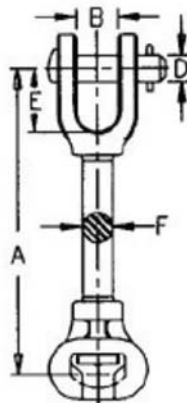


Figure 2* - Socket Clevis 90°

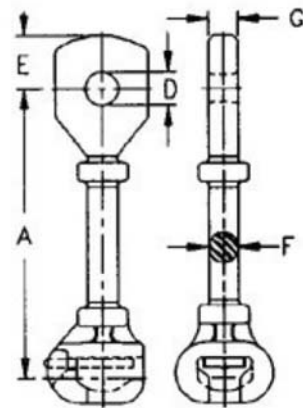


Figure 3- Socket Eye 90°

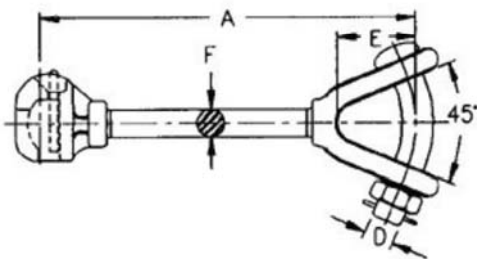


Figure 4* - Socket - Y - Clevis

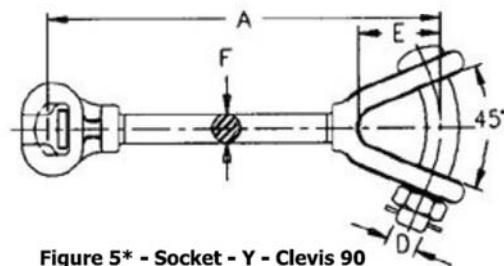


Figure 5* - Socket - Y - Clevis 90

CATALOG NUMBER	FIG. NO.	ANSI CLASS	DIMENSIONS (INCHES)						ULTIMATE STRENGTH	APROX. WT. PER 100 PCS. (Pounds)
			A	B	C	D	E	F		
3454	1	52-3.52-5	10	1 1/32	1 3/4	3/8	2	7/8	30,000	385
3455	1	52-8.52-11	10	1	2 1/4	3/4	2 1/8	1 1/32	40,000	575
3470	2	52-8.52-11	11	15/16	2 3/8	3/4	1 1/8	1 1/8	50,000	650
3463*	3	52-3.52-5	10	-	-	11/16	15/16	7/8	30,000	360
3465	3	52-8.52-11	10	-	-	15/16	1 1/8	1 1/8	50,000	580
3472	4	52-3.52-5	10 1/2	-	2	3/4	2 1/8	7/8	30,000	450
3448	5	52-3.52-5	10 3/8	-	2	3/4	1 1/8	7/8	30,000	445
3471	5	52-8.52-11	11	-	2 1/4	7/8	2 1/4	1 1/8	50,000	675