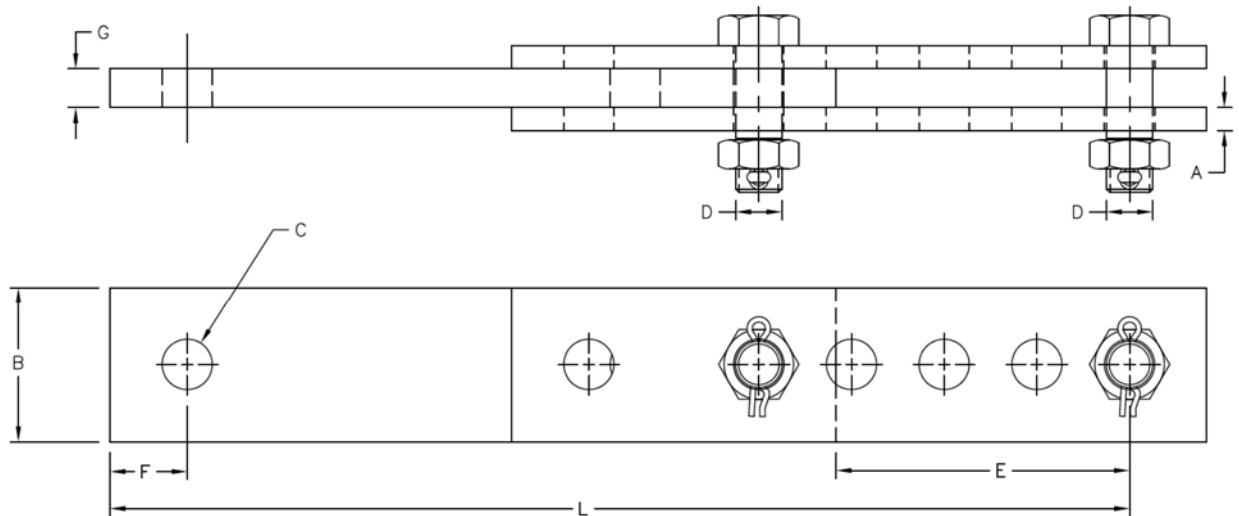


T&D Fittings

Adjustable Strap Links

How to Order

Use the drawing to identify the required dimensions and select the appropriate catalog number from the table below.



ADJUSTABLE STRAP TYPE

CATALOG NUMBER	ULTIMATE STRENGTH (Pounds)	DIMENSIONS (INCHES)								TOTAL ADJUSTMENT	MAX STEP SIZE	APROX WT. PER 100 PCS. (Lbs)
		A	B	C	D	E	F	G	L (min)			
3640	30,000	1/4	2	11/16	5/8	1 1/2	1 1/4	1/2	18 3/4	11 1/4	1 1/4	1045
3642	40,000	1/4	2	13/16	3/4	2	2 1/4	5/8	19 1/4	10 1/4	1 1/4	1155
3644	50,000	3/8	2 1/2	15/16	7/8	2 3/4	2 1/8	3/4	20 5/8	10 7/8	1 3/8	2010
3646	60,000	3/8	3	1 1/16	1	3 1/2	1 1/2	3/4	20 1/2	10 1/2	1 1/2	2400
3647	60,000	3/8	3	1 1/16	1	3 1/2	2	3/4	26	11 1/2	1/2	3070
3648	60,000	3/8	3	1 1/16	1	3	1 1/2	3/4	37 1/2	24	1/2	4600
3649	80,000	1/2	3	1 1/16	1	2 7/8	2 1/4	1	22 7/8	13 1/8	1 5/8	3600
3650	100,000	5/8	3	1 3/16	1 1/8	2 3/4	3	1 1/4	25 1/4	13 3/4	1 3/4	4775