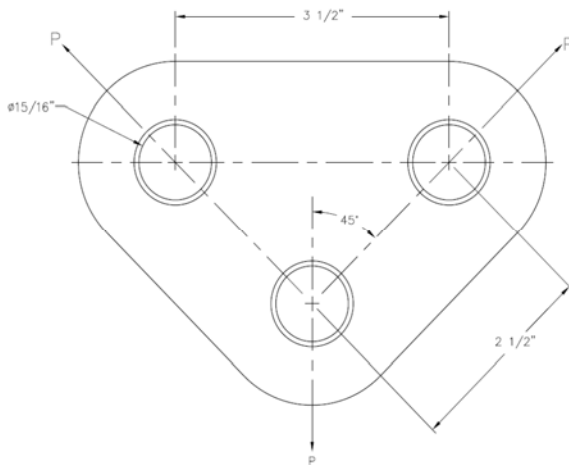


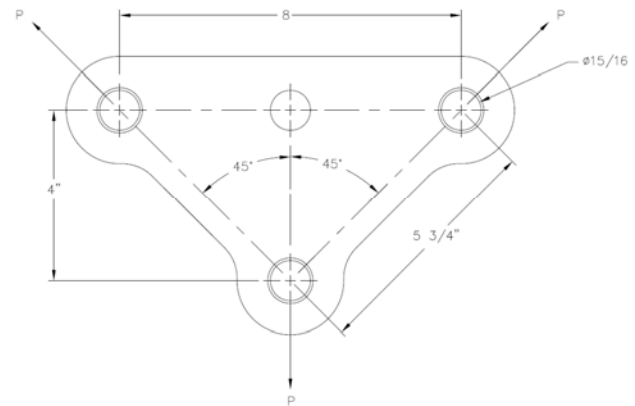
T&D Fittings

Yoke Plates - Suspension

Single Conductor



No. 3560
Vee string
Single conductor
40,000 lbs. ultimate strength
3.5 lbs weight each



No. 3562
Vee string
Single conductor
40,000 lbs. ultimate strength
5.2 lbs weight each

T&D Fittings

Yoke Plates - Suspension

Double Conductor

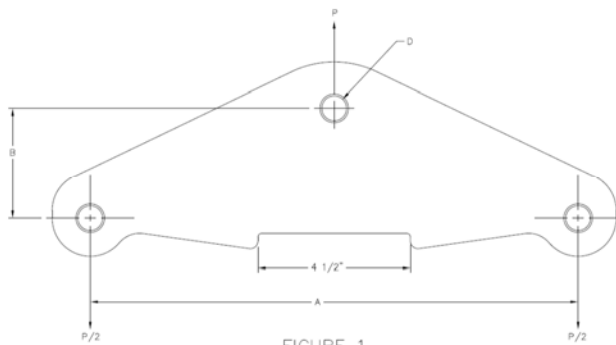


FIGURE 1.

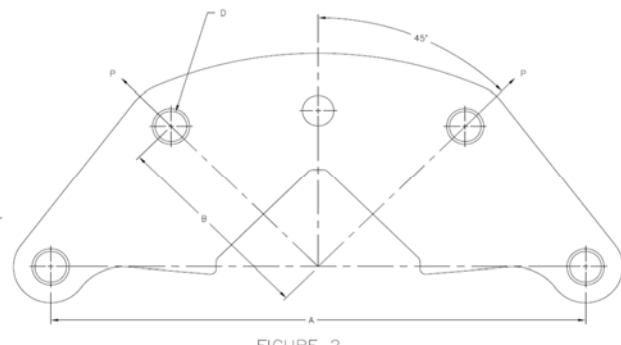


FIGURE 2.

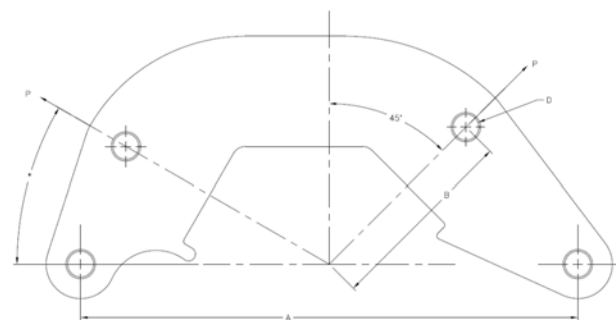


FIGURE 3.

Double Conductor Suspension Yoke Plate Table

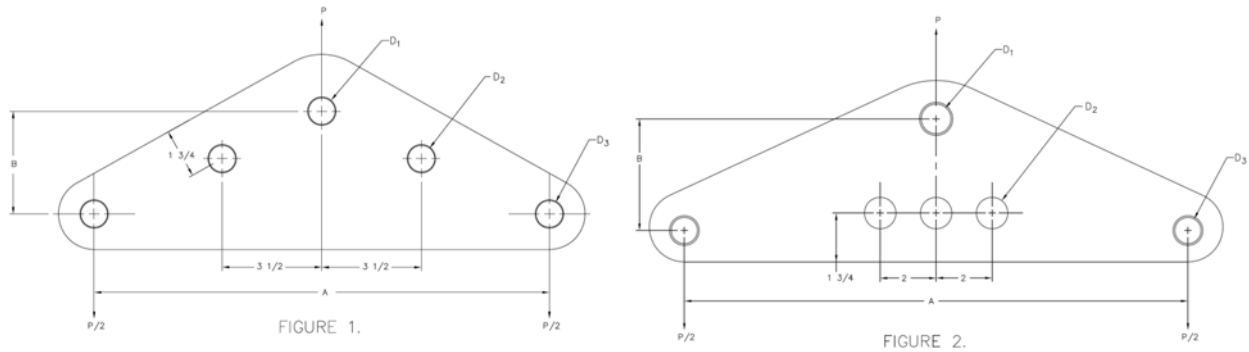
CATALOG NUMBER	FIG. NO.	ULTIMATE STRENGTH (Pounds)	DIMENSIONS (INCHES)			Thickness	APROX. WT. PER 100 PCS. (Pounds)
			A	B	D		
3568	1	40,000	16	3 5/8	13/16	5/8	1200
3570	1	40,000	18	3 5/8	13/16	5/8	1400
3571	1	50,000	18	3 5/8	13/16	5/8	1400
3572	1	50,000	18	3 5/8	13/16	3/4	1680
3578	2	40,000	16	7	13/16	5/8	1250
3580	2	40,000	18	7	15/16	5/8	1350
3582	2	50,000	18	7	15/16	3/4	1550
3588*	3	30,000	16	7	13/16	5/8	1350
3590*	3	30,000	18	7	15/16	5/8	1450
3592*	3	50,000	18	7	15/16	3/4	1725

*Specify angle.

T&D Fittings

Yoke Plates - Strain

Yoke Plates – Strain – Triangular

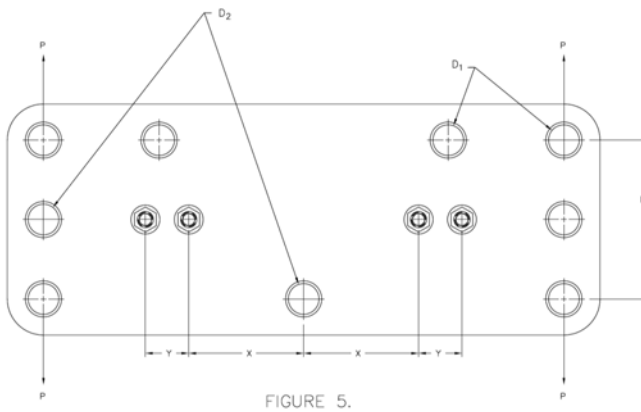
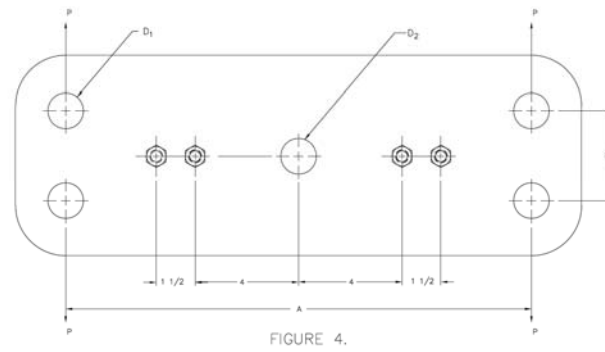
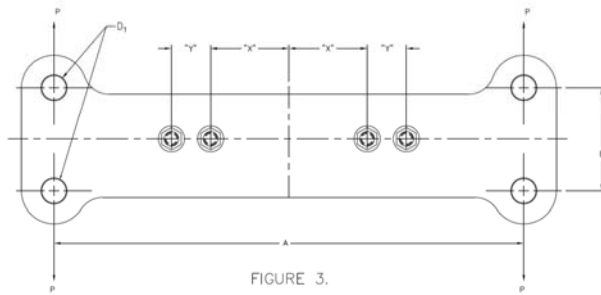


CATALOG NUMBER	FIG. NO.	ULTIMATE STRENGTH (Pounds)	DIMENSIONS (INCHES)					Thickness	APROX. WT. PER 100 PCS. (Pounds)
			A	B	D1	D2	D3		
3522	1	60,000	16	3 5/8	15/16	15/16	15/16	3/4	1825
3523	1	80,000	16	4	1 1/16	1 1/16	15/16	3/4	2025
3525	1	60,000	18	3 5/8	15/16	15/16	15/16	3/4	2000
3526	1	80,000	18	4	1 1/16	1 1/16	15/16	3/4	2250
3530	1	100,000	18	4	1 3/16	1 3/16	15/16	7/8	3700
3500	2	60,000	18	4	1 1/16	1 1/8	15/16	3/4	2250
3528	2	80,000	18	4	1 1/16	1 1/8	15/16	3/4	2250
3531	2	100,000	18	6	1 3/16	1 1/8	15/16	3/4	2250
3510	2	100,000	18	4	1 3/8	1 1/8	15/16	1	3700

T&D Fittings

Yoke Plates - Strain

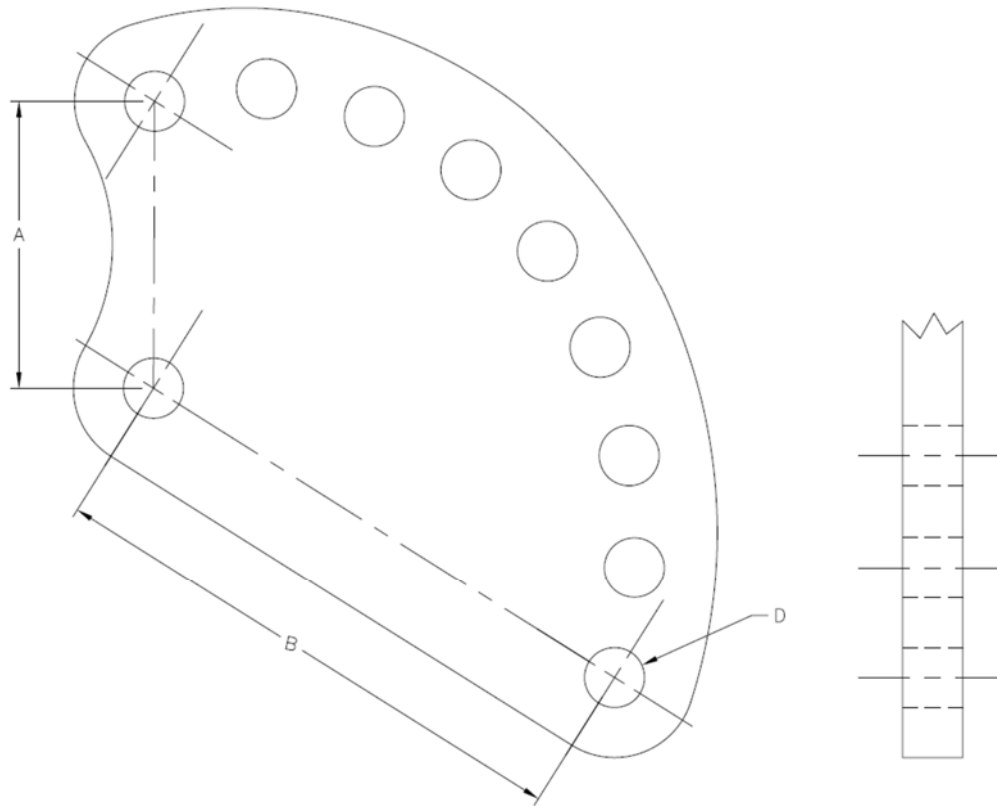
Yoke Plates – Strain – Other



CATALOG NUMBER	FIG. NO.	ULTIMATE STRENGTH (Pounds)	DIMENSIONS (INCHES)				Thickness	APROX. WT. PER 100 PCS. (Pounds)
			A	B	D1	D2		
3541	3	30,000	16	4	15/16	-	5/8	1005
3542	3	50,000	16	4	15/16	-	3/4	1005
3543	3	30,000	18	4	15/16	-	5/8	1115
3544	3	50,000	18	4	15/16	-	3/4	1335
3548	4	40,000	16	3 1/2	15/16	1 1/8	3/4	2550
3549	4	40,000	18	3 1/2	15/16	1 1/8	3/4	2835
3501	4	60,000	18	3 1/2	1 1/16	1 5/16	1	3780
3505	4	100,000	18	3 1/2	1 3/8	1 3/8	1	4100
3536	5	40,000	18	5 1/2	15/16	1	5/8	3150
3538	5	60,000	18	5 1/2	1 1/16	1 1/16	3/4	3780
3540	5	100,000	18	5 1/2	1 1/16	1 1/16	1 1/4	3780

T&D Fittings

Yoke Plates - Adjustable Plate Type



ADJUSTABLE PLATE TYPE

CATALOG NUMBER	ULTIMATE STRENGTH (Pounds)	DIMENSIONS (INCHES)				TOTAL ADJUSTMENT	STEP SIZE	APPROX. WT. PER 100 PCS. (Pounds)
		A	B	C	D			
3685	40,000	5	7	$\frac{3}{8}$	$\frac{13}{16}$	2	$\frac{1}{4}$	1280
3686	40,000	4 $\frac{1}{2}$	8 $\frac{1}{2}$	$\frac{5}{8}$	$\frac{13}{16}$	4	$\frac{1}{2}$	1340
3687	40,000	3	9	$\frac{3}{8}$	$\frac{13}{16}$	6	1	965
3692	60,000	5	7	$\frac{3}{4}$	$\frac{15}{16}$	2	$\frac{1}{4}$	1490
3693	60,000	4 $\frac{1}{2}$	8 $\frac{1}{2}$	$\frac{3}{4}$	$\frac{15}{16}$	4	$\frac{1}{2}$	1570
3694	60,000	3	9	$\frac{3}{4}$	$\frac{15}{16}$	6	1	1125